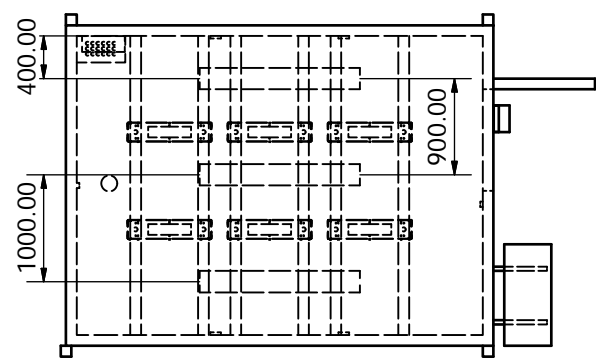
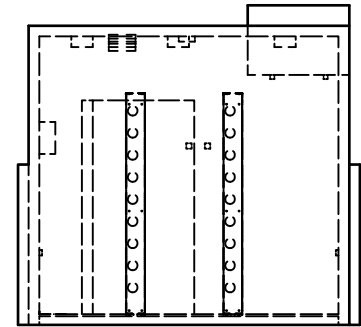
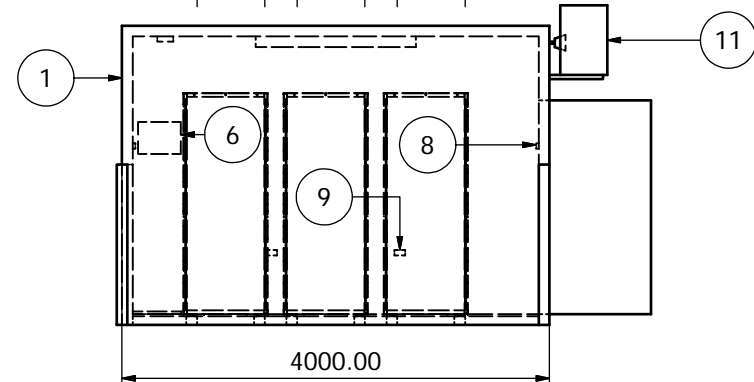
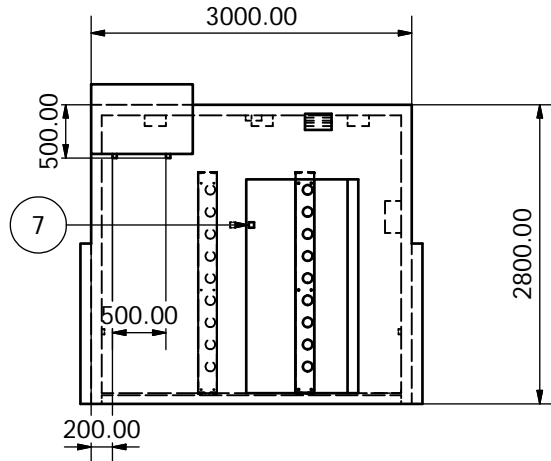
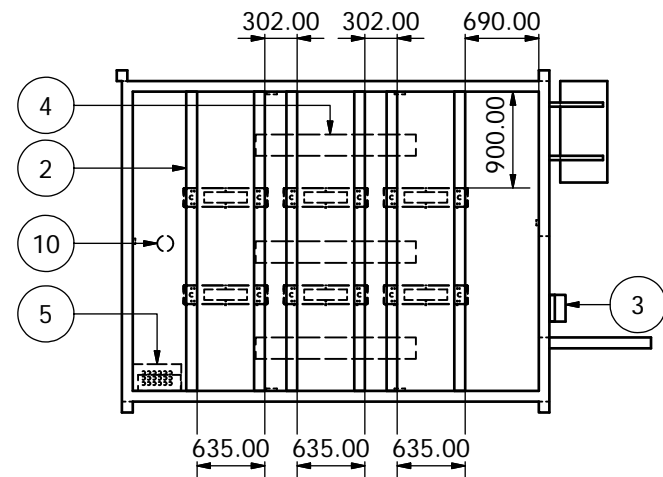
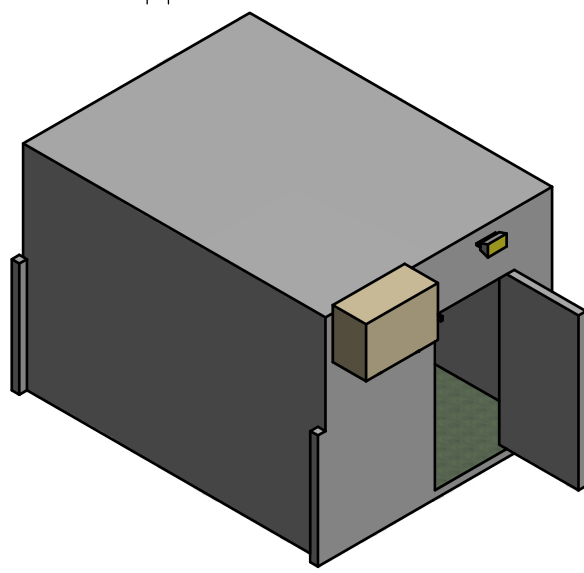


REVISION HISTORY			
REV	DESCRIPTION	DATE	APPROVED
0	New Issue	28/09/2015	F. Foley

PARTS LIST			
ITEM	QTY	STOCK NUMBER	TITLE
1	1		Telecoms REB 4 x 3m
2	6		Joist
3	1		Floodlight Steinel 500W
4	3		Double 5' PUM
5	1		Floor - Gland Plate
6	1	18DC213	Consumer Unit
7	1		Thermostat
8	1		Light Switch or Thermostat
9	4		Socket 13A Double
10	1		Smoke Alarm & Patress
11	1		Air Conditioning Unit
12	6		Relay Rack



- Notes:
1. The 635mm & 302mm measurements are critical as they are used to locate the Relay Racks.
 2. The PUM nearest the door is to be an Emergency Type.
 3. A 25 x 10mm Copper Strip is to be mounted underneath, this will connect the Earth Points at either end.



Part #: 33C0403
 Description: REB 4 x 3m Room
 Structural Material: Galvanised Steel
 Specification: S77
 Paint Finish: RAL Pale Grey 7035
 Tolerance: ±1.0mm

Designed by F. Foley	Checked by G. O'Connell	Approved by F. Foley	Date 28/09/2015	Date 28/09/2015	
			REB 4 x 3m Room		
			Drawing Number 33C0403D	Edition 0	Sheet 1 / 1