

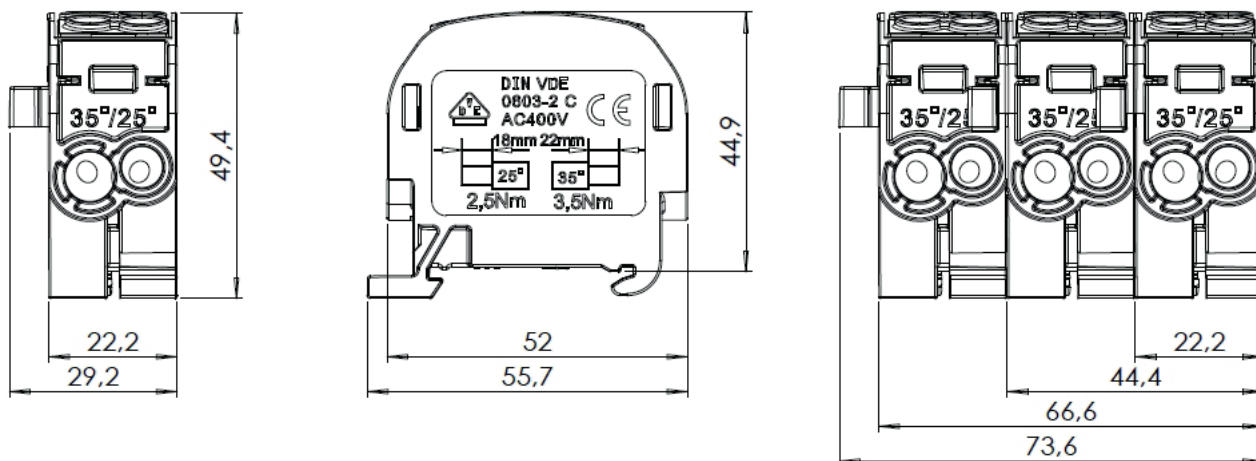
Technical Data Sheet

Description: Main Line Branch Terminal 35 mm² – 1 pole
Construction: Model C – all-side fingersafe, modular system

Item no. : 080210
Colour: See table (design)
GTIN (EAN): See table (design)

11.02.2013

Remarks:	The product is compliant with the EC ROHS directives		
Standards:	VDE Certification as per DIN VDE 0603-2		
Nominal voltage:	690 V AC		
Nominal current:	125 A		
Terminal cross section:	2 x 35 mm ²	4 – 35 mm ² , round conductor Cu (solid wire and multi wire) 2.5 – 25 mm ² , stranded wire with ferrule cross-head screw M8 +/- PZ2 tightening torque 3,5 Nm Stripping length 22 mm	
	2 x 25 mm ²	2.5 – 25 mm ² , round conductor Cu (solid wire and multi wire) 1.5 – 16 mm ² , stranded wire with ferrule cross-head screw M6 +/- PZ2 tightening torque 2,5 Nm Stripping length 18 mm	
Materials:	Terminal body:	brass (CuZn39Pb2)	bright
	Housing:	PA 6 (Halogen-free)	
	Screws:	steel	Zn thick-film passivated
Flame resistance:	Self-extinguishing		
Mechanical data:	Dimensions:	width x height x depth (mm):	29,2 x 49,4 x 55,7



Design

Basic housing colour – light-grey RAL 7035

Item no.	Design	Cover colour	XLPE	GTIN (EAN)
080210-0-4	L „G“	light-grey RAL 7035	5	4051589802109
080210-1-4	N	light blue RAL 5012	5	4051589802116
080210-2-4	PE	yellow-green RAL 6018	5	4051589802123
080210-3-4	L „B“	clay brown RAL 8003	5	4051589802130
080210-4-4	L „S“	jet black RAL 9005	5	4051589802147